

Date Code Screws for Die Casting

High Quality / Low Cost



JULIAN



HEX / SQUARES

Custom & Standard Designs FAST!



ROUND



RAISED DIGITS



Precise fit, no flash. Produced on automated CNC machines. Made from: hardened H-13, V-44, 4142 HT or as specified.



Custom designs, or made to your print. Reduce costs!



Easy In/Easy Out. Crisp and clean mark on all castings.



Magnetic installation wrenches available for every date screw. Easy In/Easy Out

SAVE TIME & MONEY! Send a Print or Call Today.

Unlimited Design Possibilities, Challenge Us!

DIE CAST DATE SCREWS

DBA Right Form LLC

9540 Bridlewood Trail • Dayton, OH 45458

ph: 937.657.4626 • fax: 760.888.9335 • email: NateGargrave@gmail.com

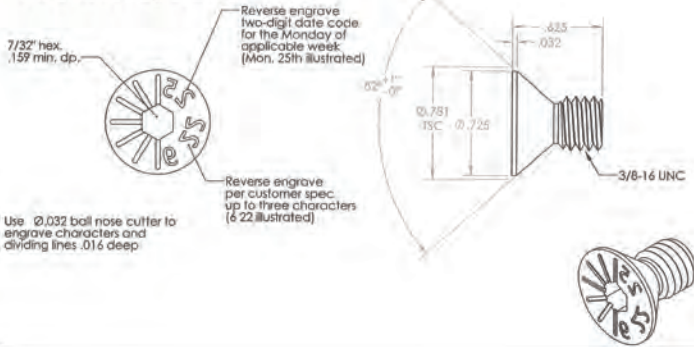
www.DateScrews.com

Popular Date Code Designs

- Any Design Quickly • Precision Fit • Engraved As You Specify • Heat-Treated Screws

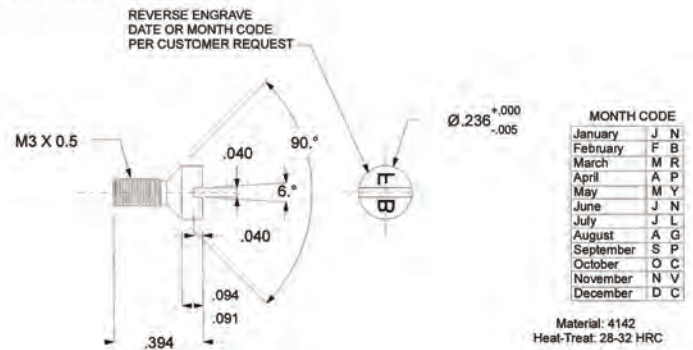
DCDS-SF19100099E

- Hex Drive, Julian Week



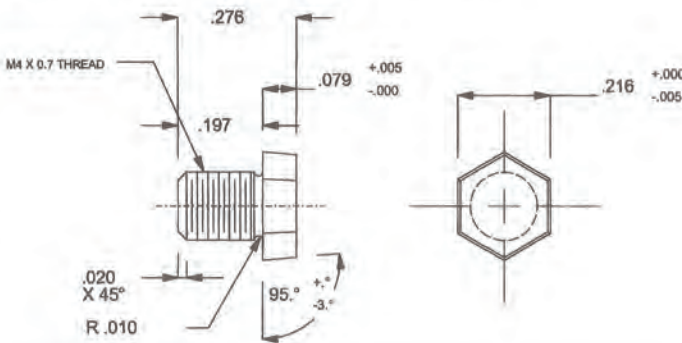
DCDS-SF06030024

- Japanese Style



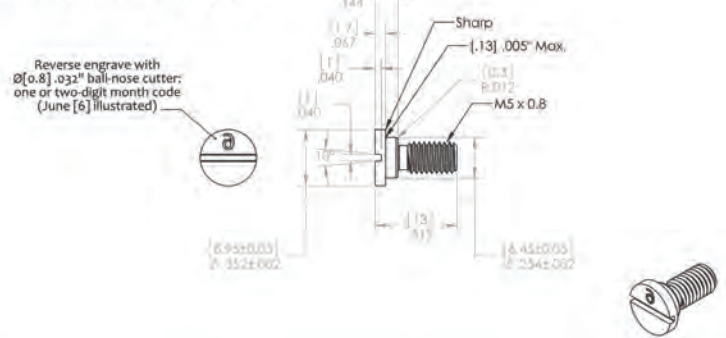
DCDS-SB550040008

- Hex Head • Engraved as Needed



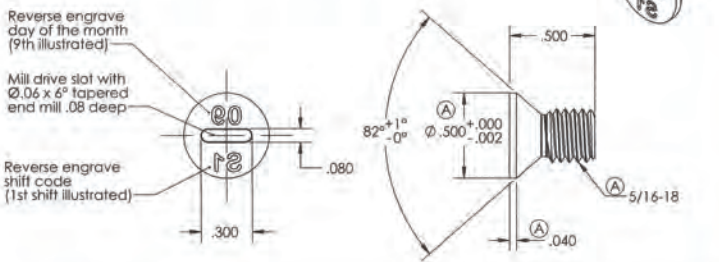
DCDS-SF10050092E

- Japanese Style



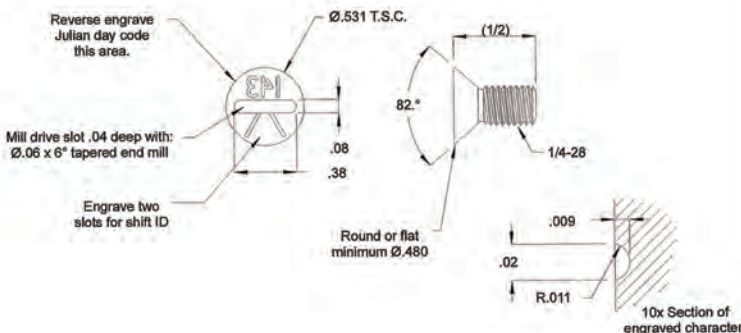
DCDS-SF12060077E

- Julian Day / Shift Code



DCDS-SF12060039E

- Julian Date • "Prick Stamp" as Needed



We Also Offer:

- Custom core pins, send prints for low price.
- PVD Coatings: TiN, TiAlN, CrN, and MORE!
- Solvenite Treatment: used to add longer die-life for all die cast tooling, low temperature thermal diffusion

EASY IN / EASY OUT
www.datescrews.com